

## 1 F-1 CYCLE WALL CLAMP

Sturdy cycle wall clamp with wheel supports made of 41.5 mm tubing and solid 12 mm steel. Hot-dip galvanised.

Available in 90° and 45°. Depth with bicycle is then 2,000 mm and 1,500 mm respectively. We recommend that the clamps be fitted at a centre to centre distance of 650 mm at 90° and 920 mm at 45°.

The centre of the clamp must be mounted 350 mm above the ground. Stainless steel mounting bolts can be ordered separately.

## 2 F-7MS AND F-7MBS CYCLE WALL CLAMP

Heavy duty cycle wall clamp made of solid 20 mm steel welded onto a 230x100 mm mounting plate which is 8 mm thick and has been hot-dip galvanised. Equipped with 2 fixing holes of 13 mm diameter. Available in 90° (photo 2A) and 45° (photo 2B). Depth with bicycle is then 2,000 mm and 1,500 mm respectively.

We recommend that the clamps be fitted at a centre to centre distance of 650 mm at 90° and 920 mm at 45°. The centre of the clamp must be mounted 350 mm above the ground.

## 1 F-1 CYCLE WALL CLAMP

Part code	Description
01.120.090	F-1 wall clamp in 90°
01.120.045	F-1 wall clamp in 45°

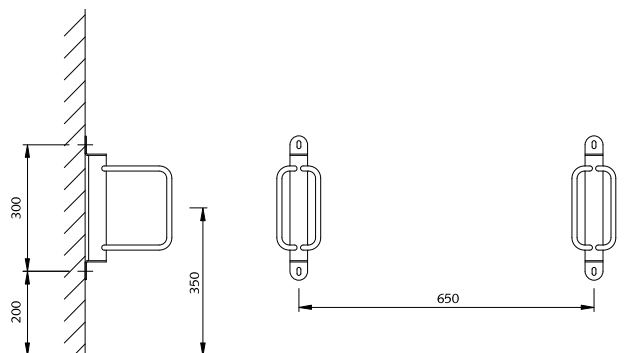
## 2 F-7MS AND F-7MBS CYCLE WALL CLAMP

Part code	Description
01.141.090	F-7MS wall clamp in 90°
01.141.045	F-7MS wall clamp in 45°
01.148.090	F-7MBS wall clamp for mountain bikes, in 90°
01.148.045	F-7MBS wall clamp for mountain bikes, in 45°

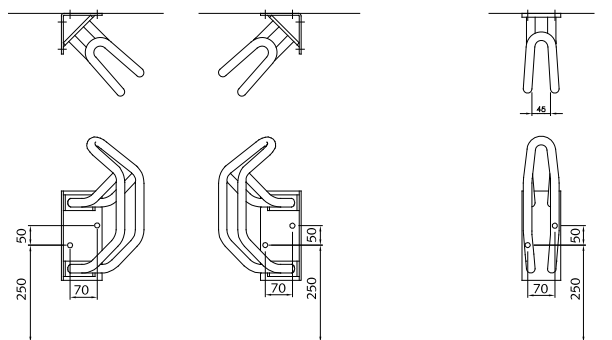
A version suitable for mountain bikes (F-7MBS) is now also available. We recommend that these clamps be fitted at a centre to centre distance of 750 mm at 90° and 1060 mm at 45°.

F-7MS is also available with a gutter for high low positions to save space.

F-1, Part code 01.120.090



F-7MS  
Part code 01.141.045      Part code 01.141.090



1



2A



2B

